

## PFAS FILTRATION SYSTEM



### APPLICATION

- Whole Home

### FEATURES & BENEFITS

- Professional grade PFAS reduction system for the whole home
- System is certified to reduce five PFAS compounds, commonly known as “forever chemicals” up to 99.82%
- Proprietary Fibredyne™ technology provides high-flow rate with low pressure drop
- 40,000 gallon capacity at 5 gpm flow rate
- Integrated pressure relief valve for easier cartridge change-outs
- Complete system with cartridge, wrench, mounting bracket kit and manual

### INSTALLATION TIPS

- Choose a mounting location suitable to support the full weight of the system when operating.
- Make sure to properly lubricate O-ring prior to use.
- Install vertically with bowl hanging down.
- Allow 2-1/2” (6.35 cm) clearance below the cartridge for easy cartridge replacement.

### OPERATION TIPS

- Replace cartridge if flow rate decreases.
- Inspect O-ring during each cartridge change. Lubricate and/or replace if necessary.

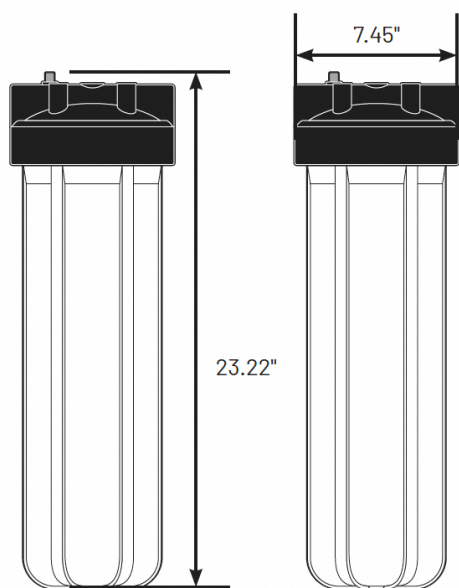
### SIZING

- Service Flow Rate: 5 gpm

### INCLUDES

- 20” filter housing
- 20” filter cartridge
- Wrench
- Mounting bracket with screws
- Installation and operation manual

## PFAS FILTRATION SYSTEM



### SPECIFICATIONS

- **System** (Model/Part No.)  
PFAS Filtration System  
Demo Liberty Protect (1/Case)
- **Housing Size**  
20" Heavy duty
- **Inlet Size**  
1" FPT
- **Housing Material**  
Polypropylene
- **System Dimensions**  
23.22" H x 7.45" W  
(590 mm x 189 mm)
- **Cartridge Type**  
Fibredyne Carbon Block
- **Contaminant Reduction**  
PFOA, PFOS, PFHxS, PFNA,  
and PFHpA
- **Micron Rating**  
1
- **Approximate Filter Life\***  
12 months
- **Capacity**  
40,000 gallons (151,416 L)
- **Flow Rate**  
5 gpm (18.9 Lpm)
- **Certification**  
NSF/ANSI Std. 53
- **Feed Pressure Range**  
30 - 90 psi (2.06 - 6.20 bar)
- **Temperature Range**  
40° - 100°F (4.4 - 37.8°C)
- **Replacement Cartridge**  
(Model/Part No.)  
Demo Liberty Protect  
(6/Case)

\*Filter life dependent on gallon usage and overall incoming water quality.